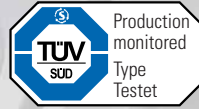




single-position
multi-position
load holding
full disengagement

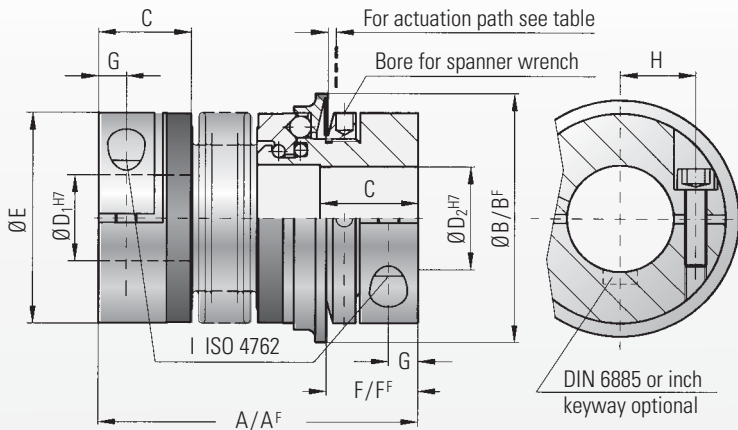


MODEL SK2



BACKLASH FREE TORQUE LIMITER

with clamping hub



Optional sealed version for wash down and food service application. See page 16.

Material:

Bellows made of highly elastic stainless steel
Torque limiter section: High strength hardened steel
Hub material: up to series 80 aluminium from series up 150 steel

Design:

With a single radial clamping screw per hub

Temperature range:

-30° C to +100° C

Backlash:

Absolutely backlash free as a result of the frictional clamp connection and the patented R+W principle

Service life:

These coupling are maintenance free and have extreme service life as long as the performance limits are not exceeded.

Fit tolerance:

Tolerance between hub and shaft 0.01-0.05 mm

Ordering specifications:

see page 11

Model SK 2		Series																										
		1.5	2		4.5		10		15		30		60		80		150		200		300		500		800		1500	
Adjustment range available from - to (approx. values) (Nm)	T_{KN}	0.1-0.6 0.4-1 0.8-1.5	0.2-1.5 or 0.5-2		1-3 or 3-6		2-6 or 4-12		5-10 or 8-20		10-25 or 20-40		10-30 or 25-80		20-70 or 30-90		20-70 45-150 80-180		30-90 60-160 120-240		100-200 150-240 200-320		80-200 200-350 300-500		400-650 500-800 650-850		650-800 700-1200 1000-1800	
Adjustment range available from - to (approx. values) (full disengagement) (Nm)	T_{KN}	0.3-0.8 or 0.6-1.3	0.5-2		2.5-4.5		2-5 or 5-10		7-15		8-20 or 16-30		20-40 or 30-60		20-60 or 40-80		20-60 40-80 80-150		80-140 or 130-200		120-180 100-300 250-500		60-150 100-300 250-500		200-400 or 450-800		1000-1250 or 1250-1500	
Overall length (mm)	A	42	46	51	57	65	65	74	75	82	87	95	102	112	115	127	116	128	128	140	139	153	163	177	190	223		
Overall length, (full disengagement) (mm)	A ^F	42	46	51	57	65	65	74	75	82	87	95	102	112	117	129	118	130	131	143	142	156	167	181	201	232		
Actuation ring Ø (mm)	B	23	29		35		45		55		65		73		92		92		99		120		135		152		174	
Actuation ring Ø (full disengagement) (mm)	B ^F	24	32		42		51.5		62		70		83		98		98		117		132		155		177		187	
Fit length (mm)	C	11	13		16		16		22		27		31		35		35		40		42		51		48		67	
Inner diameter from Ø to Ø H7 (mm)	D ₁ /D ₂	3-8	4-12		5-14		6-20		10-26		12-30		15-32		19-42		19-42		24-45		30-60		35-60		40-75		50-80	
Outer diameter of coupling (mm)	E	19	25		32		40		49		55		66		81		81		90		110		123		134		157	
Distance (mm)	F	12	13		15		17		19		24		28		31		31		35		35		45		50		63	
Distance (full disengagement) (mm)	F ^F	11.5	12		14		16		19		22		29		31		30		33		35		43		54		61	
Distance (mm)	G	3.5	4		5		5		6.5		7.5		9.5		11		11		12.5		13		17		18		22.5	
Distance between centers (mm)	H	6	8		10		15		17		19		23		27		27		31		39		41		2x48		2x55	
ISO 4762 screws	I	M2.5	M3		M4		M4		M5		M6		M8		M10		M10		M12		M12		M16		2xM16		2xM20	
Tightening torque (Nm)	I	1	2		4		4.5		8		15		40		50		70		120		130		200		250		470	
Approx. weight (kg)		0.035	0.07		0.2		0.3		0.4		0.6		1.0		2.0		2.4		4.0		5.9		9.6		14		21	
Moment of inertia (10 ⁻³ kgm ²)	J _{ges}	0.01	0.01	0.01	0.02	0.02	0.06	0.07	0.10	0.15	0.27	0.32	0.75	0.80	1.80	1.90	2.50	2.80	5.10	5.30	11.5	11.8	22.8	23.0	42.0	83.0		
Torsional stiffness (10 ³ Nm/rad)	C _T	0.07	1.2	1.3	7	5	9	8	20	15	39	28	76	55	129	85	175	110	191	140	420	350	510	500	780	1304		
Lateral misalignment max. (mm)		0.15	0.15	0.20	0.20	0.25	0.20	0.30	0.15	0.20	0.20	0.25	0.20	0.25	0.20	0.25	0.20	0.25	0.20	0.25	0.25	0.30	0.25	0.30	0.30	0.35	0.35	0.35
Angular misalignment max. (degrees)		1	1	1.5	1.5	2	1.5	2	1	1.5	1	1.5	1	1.5	1	1.5	1	1.5	1	1.5	1.5	2	1.5	2	2	2.5	2.5	2.5
Lateral spring stiffness (N/mm)		70	40	30	290	45	280	145	475	137	900	270	1200	420	920	255	1550	435	2040	610	3750	1050	2500	840	2000	3600		
Actuation path (mm)		0.7	0.8		0.8		1.2		1.5		1.5		1.7		1.9		1.9		2.2		2.2		2.2		2.2		3	

A^F, B^F, F^F = Full disengagement version

(smaller sizes on request)